

**SPEIRS
MAJOR**

Lights over Kruunuvuorenranta,
Helsinki, Finland

**LIGHT
ARCHITECTURE**

8 Shepherdess Walk
London,
N1 7LB
United Kingdom

T +44 (0)20 7067 4700

Co-lab Shibuya Cast
23-21, Shibuya 1-Chome
Tokyo 150-0002
Japan

T +81 (0)3 3400 8855

info@smlightarchitecture.com
press@smlightarchitecture.com

SPEIRS MAJOR



The concept harmonises many aspects of light and urbanism. It considers the site context, the seasonal changes in the quality and quantity of natural light, the influence of the surrounding vegetation, the contrast inherent in the rough and fine materials found in the area, as well as social engagement – a fundamental ambition of creating a new housing project in Helsinki.

CLIENT
City of Helsinki

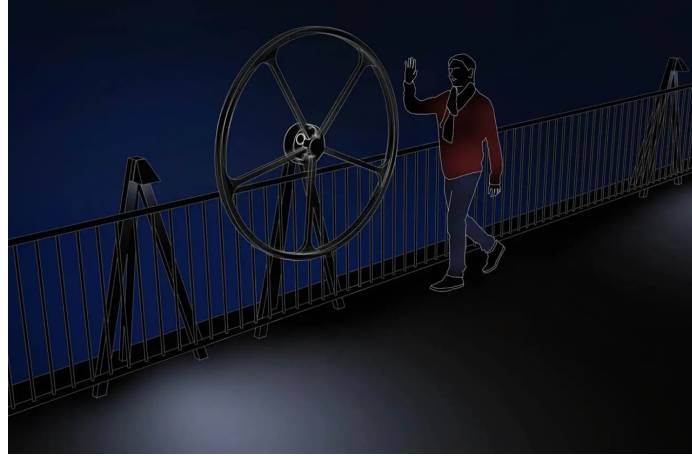
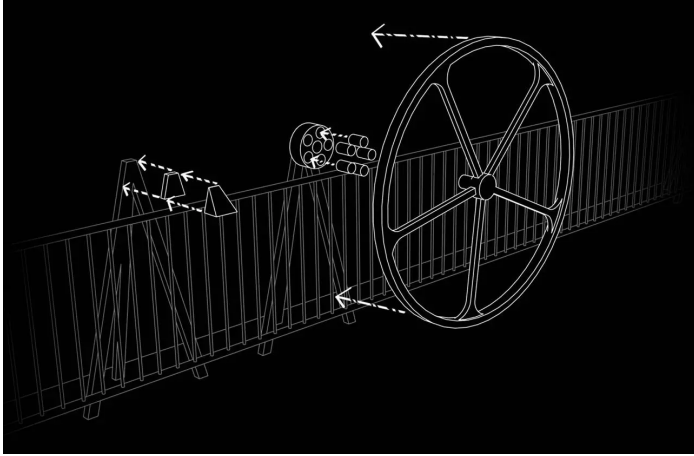
URBAN DESIGN +
LANDSCAPE
ARCHITECTURE

West 8

PROJECT TEAM

Keith Bradshaw,
Benz Roos

SPEIRS MAJOR



SPEIRS MAJOR

Kruunuvuorenranta is a new seaside district being developed on the site of a former oil port. In response to a competition to commission an artistic lighting scheme for development, we collaborated with West 8 to create 'Luonnon Lyhdyt' (Nature's Lanterns). Our creation is a natural, people-centred design that would also be attractive to those viewing the district from Helsinki.

The concept harmonises many aspects of light and urbanism. It considers the site context, the seasonal changes in the quality and quantity of natural light, the influence of the surrounding vegetation, the contrast inherent in the rough and fine materials found in the area, as well as social engagement - a fundamental ambition of creating a new housing project in Helsinki.

The solution is both sustainable and harmonious, as it consciously limits the amount of light by making use of water reflection, protecting the night sky for stargazing. We also put huge emphasis on the importance of light becoming a focus of the community, developing unique and engaging ideas for lighting that are directly connected to everyday lives of the residents.



SPEIRS MAJOR

